

Features:

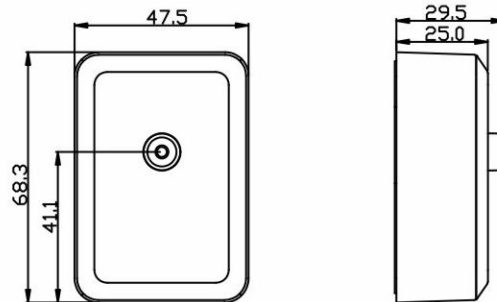
Junction Box



Part No.	Dimensions(mm)			Qty/Ctn(pcs)
	L	W	H	
ZJB3M	68.3	47.5	29.5	200
ZJB4M	68.3	47.5	29.5	200
ZJB3MC	68.3	47.5	29.5	200
ZJB4MC	68.3	47.5	29.5	200



Dimensions(mm)



Mounting Enclosures

Part No.	Dimensions(mm)			Qty/Ctn(pcs)
	L	W	H	
ZME1	110	75	55	100
ZME2	160	115	70	50

Dimensions(mm)

